

3873 REGISTERED ARCHITECT
 CHRIS EDWARD CARLSON
 STATE OF WASHINGTON

buffalodesign
 architecture & interiors

1501 western
 suite 500
 seattle, wa
 98101
 206 467 6306
 fax 206 624 1494

Sno-Isle
 Regional Library System

**monroe
 library**

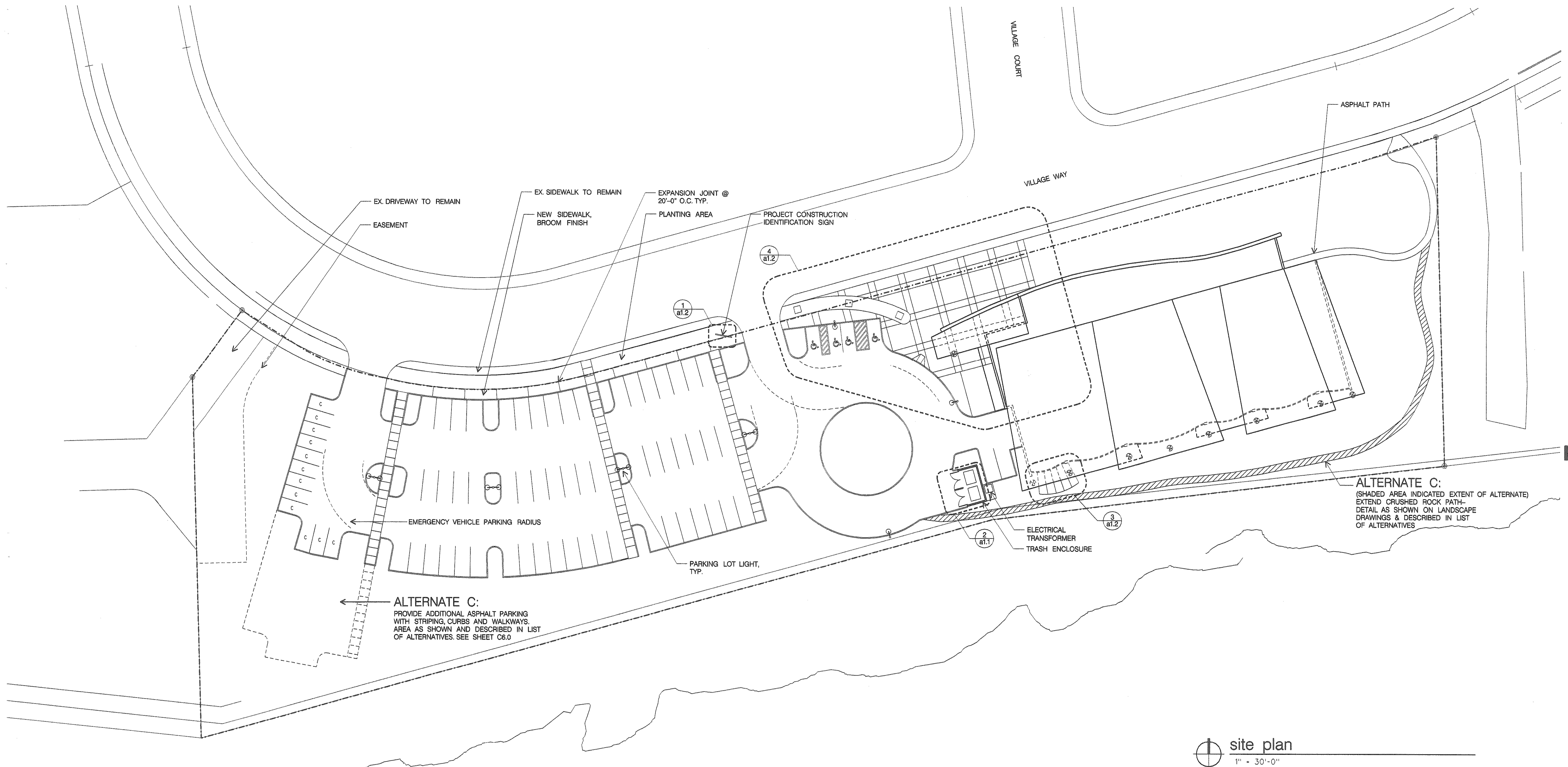
village way,
 monroe, washington 98272

BID SET

project: 00-002
 contents: site plan

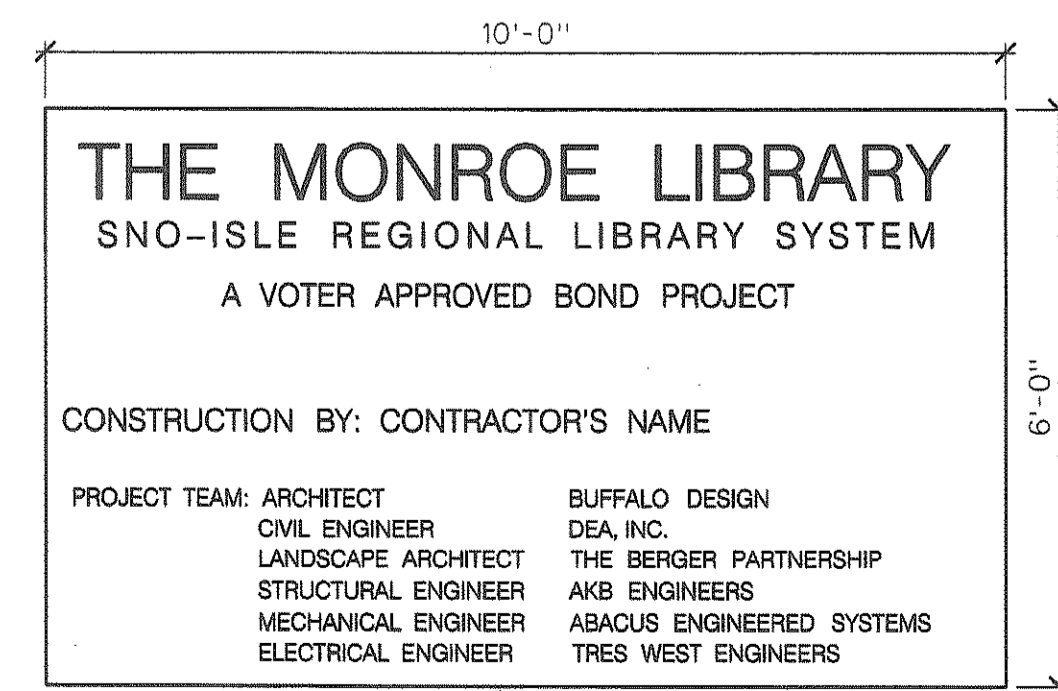
drawn:
 checked:
 date: april 17, 2001
 revised:

a1.1

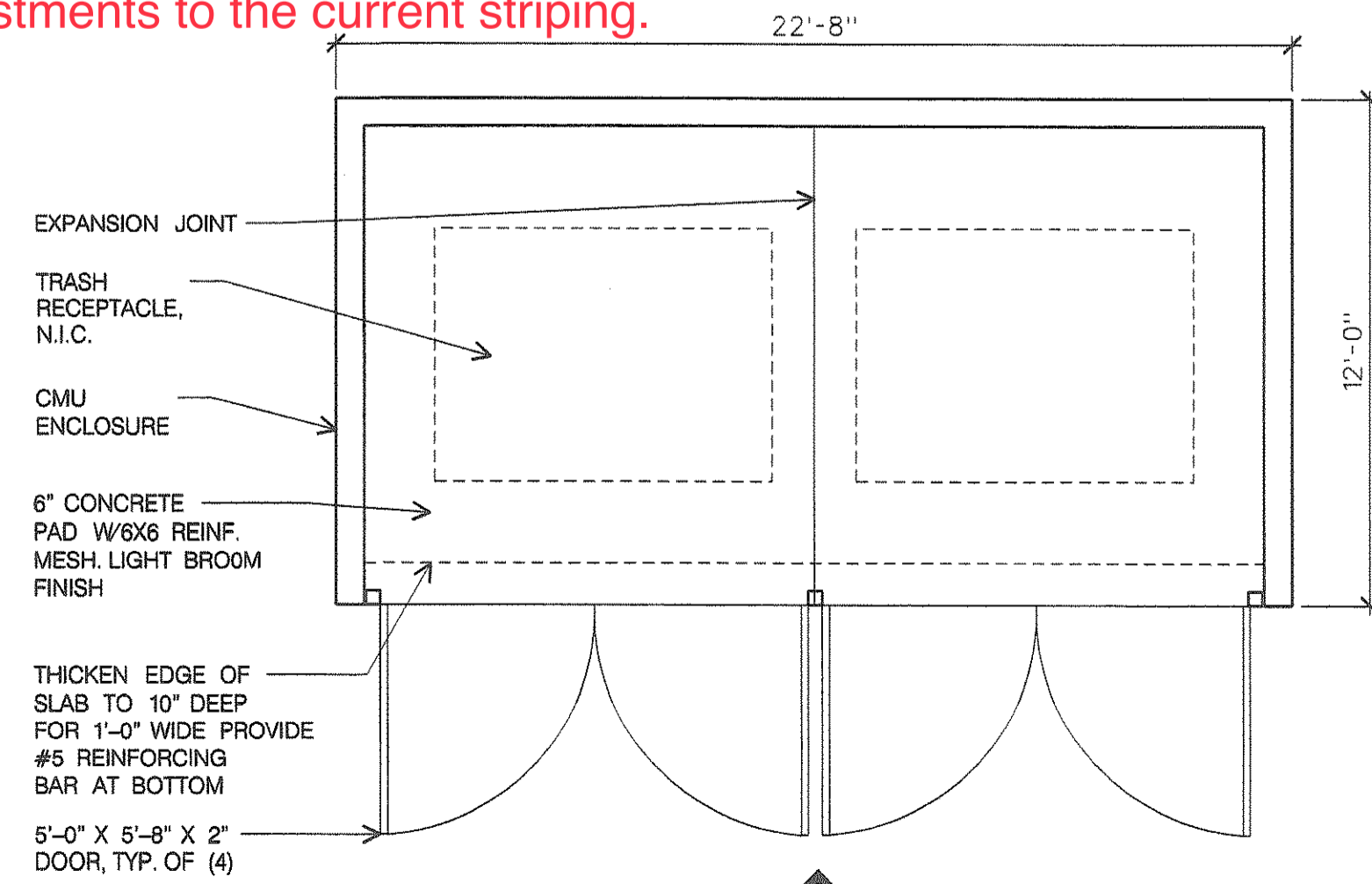


site plan
 1" = 30'-0"

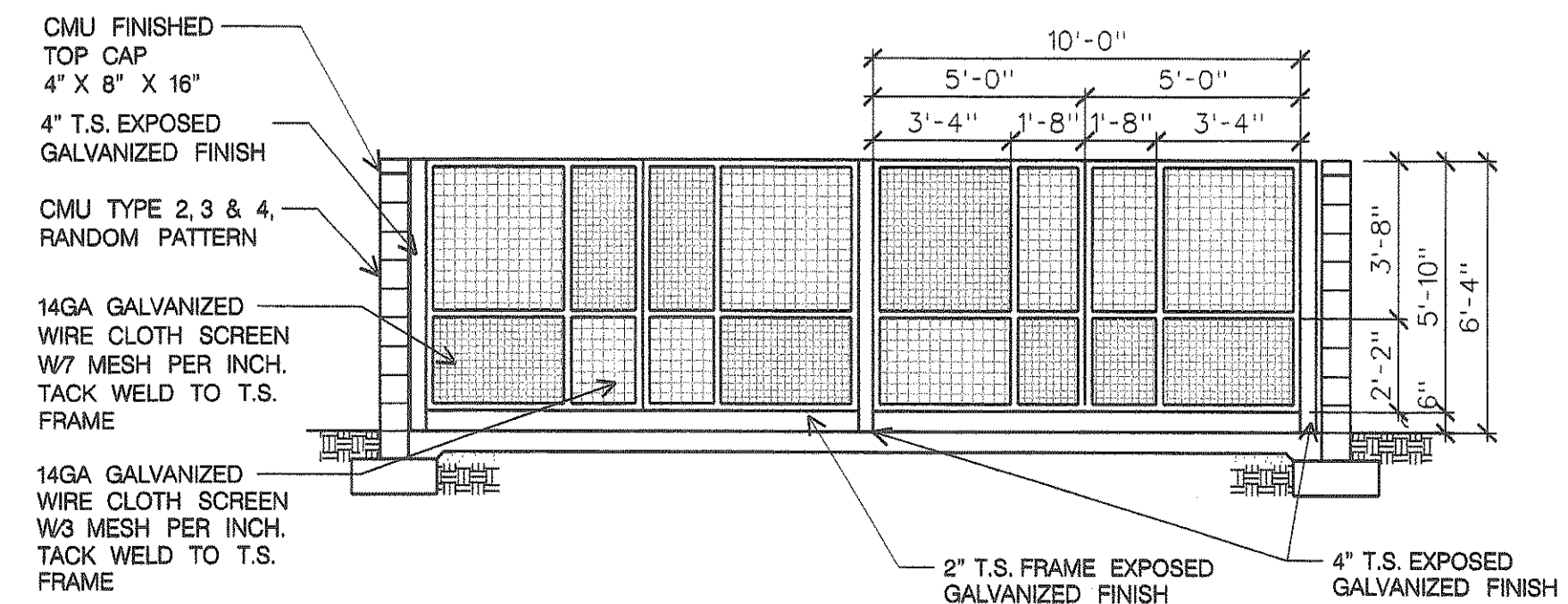
****All of the Curbs on site need reconditioned/repainted.
 There is extensive damage to the curbing.
 Additionally, it will be necessary when striping the parking lot to make some adjustments to the current striping.**



1 construction sign
 1/2" = 1'-0"



2 trash enclosure
 1/4" = 1'-0"



3 trash enclosure elevation
 1/4" = 1'-0"

11/17/01 10:58 AM C:\projects\monroe\monroe.dwg